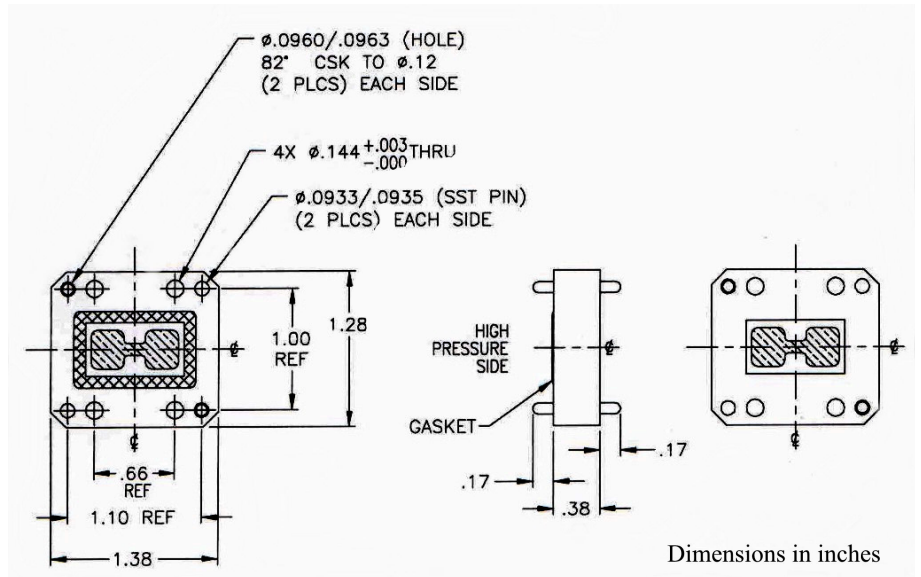
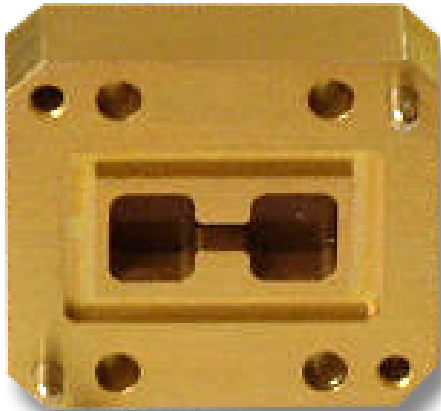


## CPI Electron Device Business - Fiberglass Pressure Window



Broadband TFG window  
in ridge wg

With a history of producing high quality products, we can help you with your pressure windows.

Contact us at [ElectronDevices@cpii.com](mailto:ElectronDevices@cpii.com) or call us at +1 978-922-6000.

### FEATURES:

- Waveguide: WRD-650
- Frequency Range: 6.5 - 18.0 GHz
- VSWR: 1.10:1 max
- Insertion loss: 0.1 dB max.
- Power: 300 Watts CW
- Pressure: 35 PSIA max.
- Material/Finish: Aluminum Iridite